

DEEBLISTER

# Tablet Recovery Unit

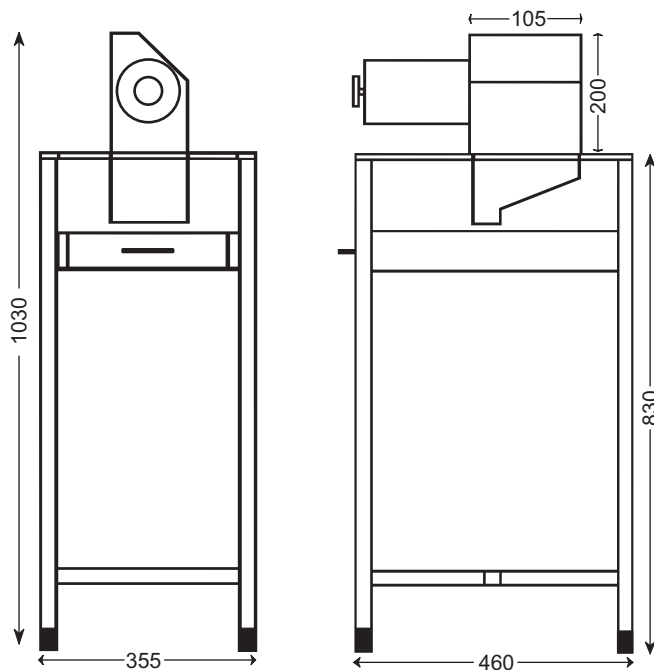


## Features

- Fast recovery.
- Minimum product breakage during recovery.
- Accommodates combination packs.
- Low noise level and low maintenance.
- Manual feeding of blister packs makes visual inspection easy.
- Transparent covers in strategic places for clear visibility by the operator.
- Long life Hypalone coated rubber roller.
- Ease & Mobility due to castors.

## Operational Parameters

In case of products blister filled in thermoformed PVC film and sealed with HSL coated aluminum foil, output efficiency as high as 90% can be achieved. The machine achieves 60% efficiency in case of recovery from glass lined paper foils. Maximum safe recovery of products is assured from packs comprising of PVC film with maximum thickness of 0.2 to 0.4 mm, sealed with aluminum foil having maximum thickness 0.02 to 0.04 mm. Maximum pack width accepted is 110 mm. However there is no restriction on the length of the packs.



All dimensions are in mm

**In-Line A.C. Gear Motor :**  
1/8" HP, 60 rpm, 50c/s, 230 Volts.

N.B.: Due to continuous development and improvement, the company reserves the right to change the specifications without prior notice.



# ACCURATE MACHINES

422, GIDC Industrial Estate, Waghodia - 391 760, Dist. Vadodara. INDIA  
Ph.: (02668) 262974 Fax: 262119 E-mail : info@accurateblister.com

[www.accurateblister.com](http://www.accurateblister.com)